

## ELEGANT 300W LED FLOODLIGHT

5209

### Areas of Usage

- Industrial Facilities
- Sports Areas
- Parks and Gardens



### General Features

Housing Material	: ADC12 Aluminum
Diffuser Material	: Tempered Glass
Product Color	: RAL 9005
Impact Resistance	: IK07
IP Rating	: IP66
Operating Temperature	: -20°C ~ +40°C
LED Lifespan	: 50.000 h - L70 @ Ta= 40°C
Product Lifespan	: 30.000 h
Dimmability	: Non-Dimmable
Mounting Type	: Surface Installation

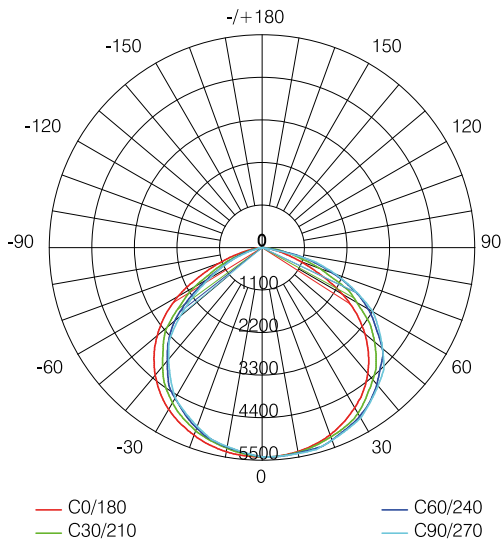
### Electrical Features

Power	: 300 W
Input Voltage	: 220-240V AC
Input Frequency	: 50/60 Hz
Power Factor	: $\geq 0,9$
Protection Class	: I

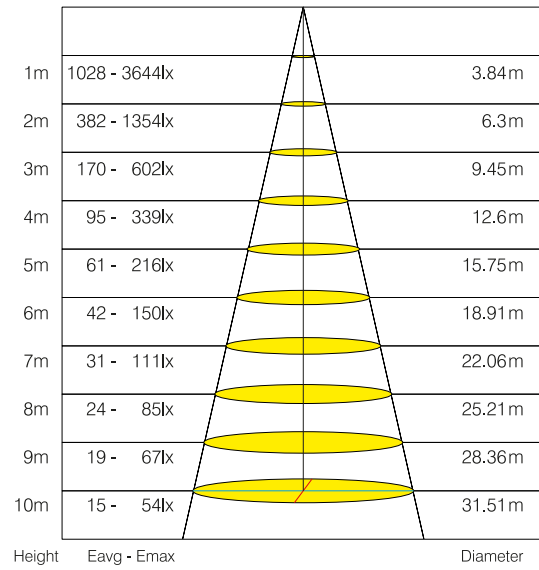
### Optical Features

Luminous Flux	: 30000 lm
Luminous Efficacy	: 100 lm/W
Color Rendering Index CRI	: $\geq 80$
Beam Angle	: 120°
Light Source	: Mid Power LED
Color Temperature	: 6500K
Photobiological Safety Group	: RG1

*According to EU 2019/2015 Energy efficiency directive, there is a tolerance of  $\pm 10\%$  for power and luminous flux values*

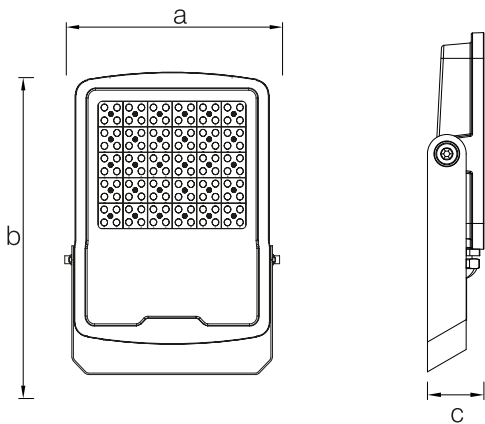


Light Distribution Curve (Polar)



Light Distribution Curve (Cone)

Dimension & Weight



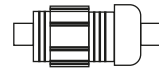
a	b	c	Weight
442mm	599mm	62mm	8270g

Cable Length



300mm

Cable Gland



M12.5X1.5

Packaging Data

Product Code	Units per Box (pcs)	Units per Carton (pcs)	Dimesions (width x length x height) (mm)	Weight (kg)
5209	1	1	475 x 615 x 120	9,48

Color Temperature Options

Product Code	Color Temperature (Kelvin)	Luminous Flux (lm)
5209-01	6500	30000
5209-02	3000	29500