

ELEGANT 400W LED FLOODLIGHT

5210

Areas of Usage

- Industrial Facilities
- Sports Areas
- Parks and Gardens



General Features

Housing Material	: ADC12 Aluminum
Diffuser Material	: Tempered Glass
Product Color	: RAL 9005
Impact Resistance	: IK07
IP Rating	: IP66
Operating Temperature	: -20°C ~ +40°C
LED Lifespan	: 50.000 h - L70 @ Ta= 40°C
Product Lifespan	: 30.000 h
Dimmability	: Non-Dimmable
Mounting Type	: Surface Installation

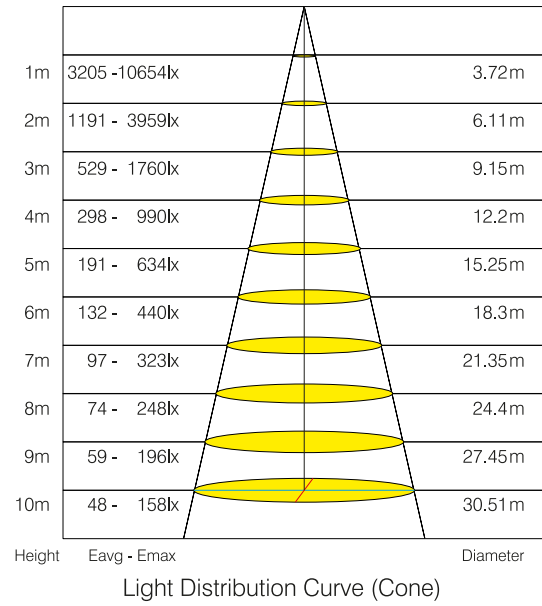
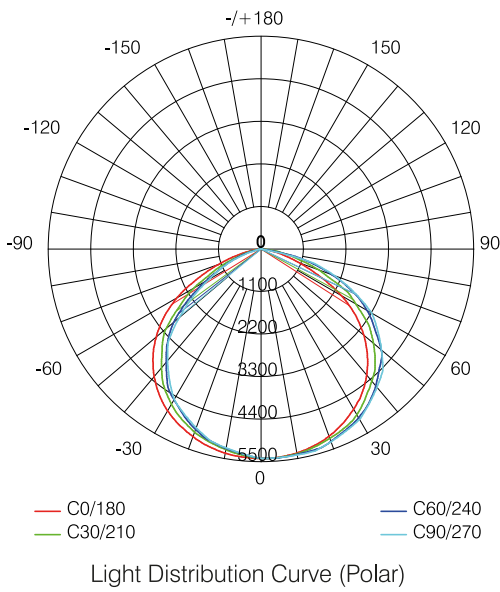
Electrical Features

Power	: 400 W
Input Voltage	: 220-240V AC
Input Frequency	: 50/60 Hz
Power Factor	: $\geq 0,9$
Protection Class	: I

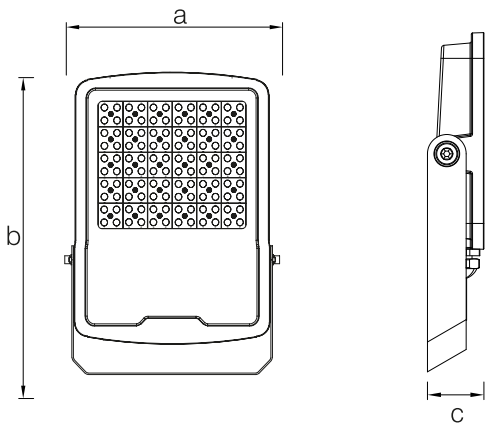
Optical Features

Luminous Flux	: 40000 lm
Luminous Efficacy	: 100 lm/W
Color Rendering Index CRI	: ≥ 80
Beam Angle	: 120°
Light Source	: Mid Power LED
Color Temperature	: 6500K
Photobiological Safety Group	: RG1

According to EU 2019/2015 Energy efficiency directive, there is a tolerance of $\pm 10\%$ for power and luminous flux values



Dimension & Weight

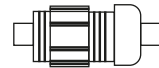


a	b	c	Weight
442mm	599mm	62mm	8330g

Cable Length



Cable Gland



Packaging Data

Product Code	Units per Box (pcs)	Units per Carton (pcs)	Dimesions (width x length x height) (mm)	Weight (kg)
5210	1	1	475 x 615 x 120	9,57

Color Temperature Options

Product Code	Color Temperature (Kelvin)	Luminous Flux (lm)
5210-01	6500	40000
5210-02	3000	39200