

## EGRA 20W LED FLOODLIGHT

7202

### Areas of Usage

- Industrial Facilities
- Sports Areas
- Parks and Gardens



### General Features

Housing Material	: ADC12 Aluminum
Diffuser Material	: Tempered Glass
Product Color	: RAL 9005
Impact Resistance	: IK06
IP Rating	: IP66
Operating Temperature	: -20°C ~ +40°C
LED Lifespan	: 60.000 h - L70 @ Ta= 40°C
Product Lifespan	: 30.000 h
Dimmability	: Non-Dimmable
Mounting Type	: Surface Installation

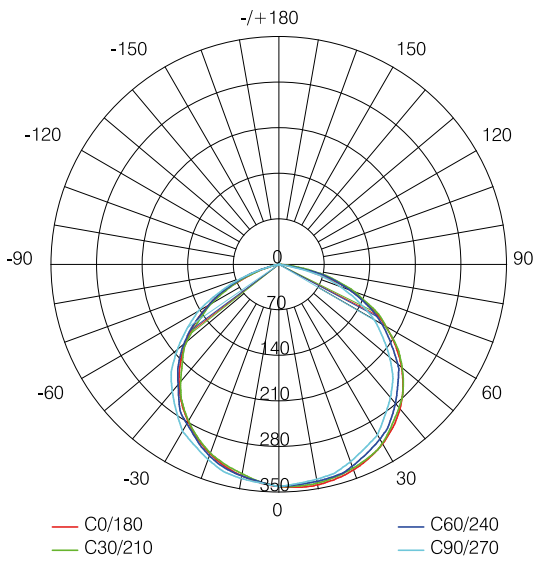
### Electrical Features

Power	: 20 W
Input Voltage	: 220-240V AC
Input Frequency	: 50/60 Hz
Power Factor	: $\geq 0,9$
Protection Class	: I

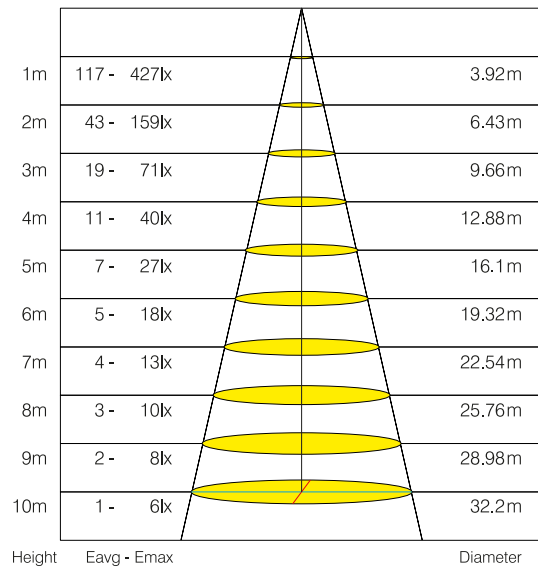
### Optical Features

Luminous Flux	: 1900 lm
Luminous Efficacy	: 95 lm/W
Color Rendering Index CRI	: $\geq 80$
Beam Angle	: 110°
Light Source	: Mid Power LED
Color Temperature	: 6500K
Photobiological Safety Group	: RG1

*According to EU 2019/2015 Energy efficiency directive, there is a tolerance of  $\pm 10\%$  for power and luminous flux values*

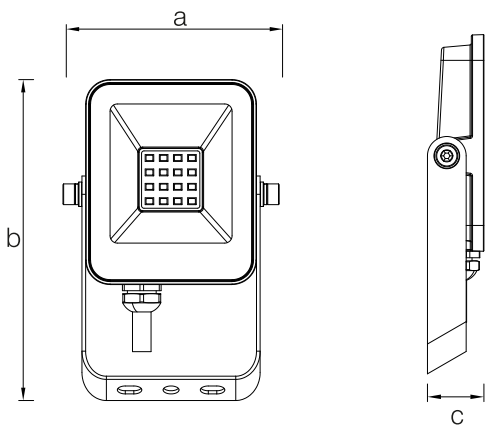


Light Distribution Curve (Polar)

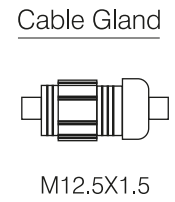
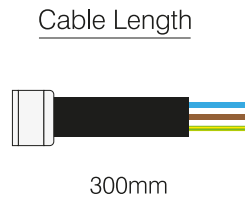


Light Distribution Curve (Cone)

**Dimension & Weight**



a	b	c	Weight
107mm	138mm	20mm	245g



**Packaging Data**

Product Code	Units per Box (pcs)	Units per Carton (pcs)	Dimesions (width x length x height) (mm)	Weight (kg)
7202	1	24	363 x 260 x 180	

**Color Temperature Options**

Product Code	Color Temperature (Kelvin)	Luminous Flux (lm)
7202-01	6500	1900
7202-02	3000	1880
7202-04	Yeşil	-
7202-05	Mavi	-
7202-08	Amber	-