

EGRA

100W LED FLOODLIGHT

7210

Areas of Usage

- Industrial Facilities
- Sports Areas
- Parks and Gardens



General Features

Housing Material	: ADC12 Aluminum
Diffuser Material	: Tempered Glass
Product Color	: RAL 9005
Impact Resistance	: IK06
IP Rating	: IP66
Operating Temperature	: -20°C ~ +40°C
LED Lifespan	: 60.000 h - L70 @ Ta= 40°C
Product Lifespan	: 30.000 h
Dimmability	: Non-Dimmable
Mounting Type	: Surface Installation

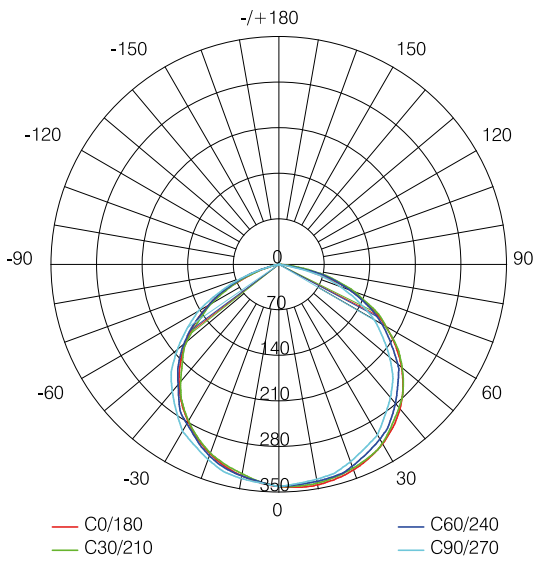
Electrical Features

Power	: 100 W
Input Voltage	: 220-240V AC
Input Frequency	: 50/60 Hz
Power Factor	: $\geq 0,9$
Protection Class	: I

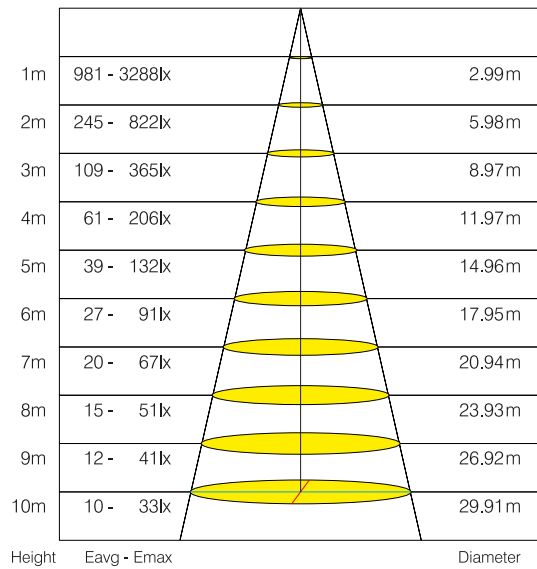
Optical Features

Luminous Flux	: 10000 lm
Luminous Efficacy	: 100 lm/W
Color Rendering Index CRI	: ≥ 80
Beam Angle	: 110°
Light Source	: Mid Power LED
Color Temperature	: 6500K
Photobiological Safety Group	: RG1

According to EU 2019/2015 Energy efficiency directive, there is a tolerance of $\pm 10\%$ for power and luminous flux values

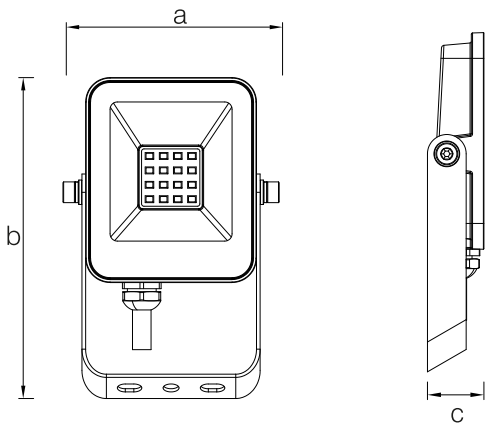


Light Distribution Curve (Polar)



Light Distribution Curve (Cone)

Dimension & Weight



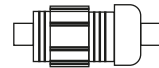
a	b	c	Weight
227mm	279mm	28mm	965g

Cable Length



300mm

Cable Gland



M12.5X1.5

Packaging Data

Product Code	Units per Box (pcs)	Units per Carton (pcs)	Dimesions (width x length x height) (mm)	Weight (kg)
7210	1	10	345 x 310 x 247	10,92

Color Temperature Options

Product Code	Color Temperature (Kelvin)	Luminous Flux (lm)
7210-01	6500	10000
7210-02	3000	9850
7210-03	4000	10000