

EGRA

150W LED FLOODLIGHT

7215

Areas of Usage

- Industrial Facilities
- Sports Areas
- Parks and Gardens



General Features

Housing Material	: ADC12 Aluminum
Diffuser Material	: Tempered Glass
Product Color	: RAL 9005
Impact Resistance	: IK06
IP Rating	: IP66
Operating Temperature	: -20°C ~ +40°C
LED Lifespan	: 60.000 h - L70 @ Ta= 40°C
Product Lifespan	: 30.000 h
Dimmability	: Non-Dimmable
Mounting Type	: Surface Installation

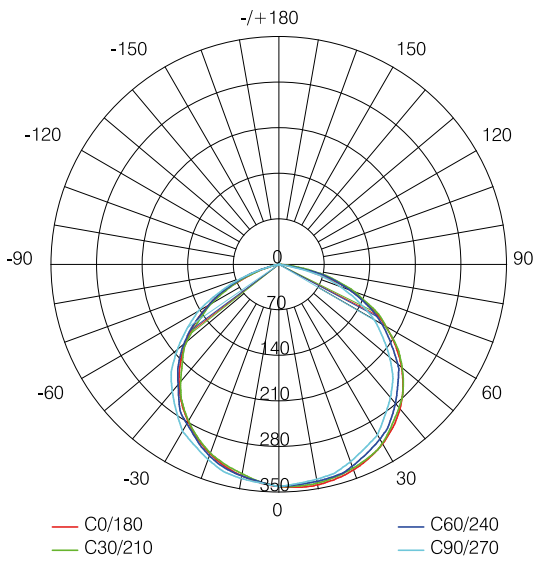
Electrical Features

Power	: 150 W
Input Voltage	: 220-240V AC
Input Frequency	: 50/60 Hz
Power Factor	: ≥0,9
Protection Class	: I

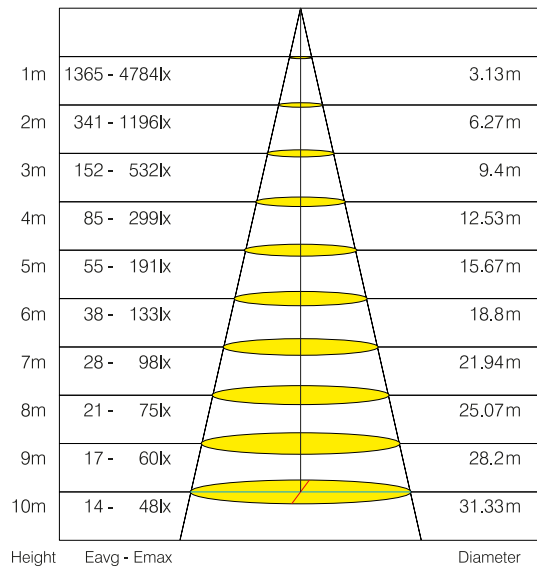
Optical Features

Luminous Flux	: 15000 lm
Luminous Efficacy	: 100 lm/W
Color Rendering Index CRI	: ≥80
Beam Angle	: 110°
Light Source	: Mid Power LED
Color Temperature	: 6500K
Photobiological Safety Group	: RG1

According to EU 2019/2015 Energy efficiency directive, there is a tolerance of ±10% for power and luminous flux values

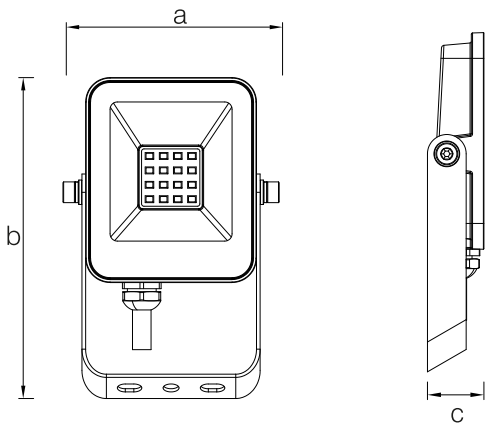


Light Distribution Curve (Polar)



Light Distribution Curve (Cone)

Dimension & Weight



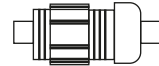
a	b	c	Weight
300mm	380mm	37mm	2000g

Cable Length



300mm

Cable Gland



M12.5X1.5

Packaging Data

Product Code	Units per Box (pcs)	Units per Carton (pcs)	Dimesions (width x length x height) (mm)	Weight (kg)
7215	1	5	402 x 220 x 320	11,25

Color Temperature Options

Product Code	Color Temperature (Kelvin)	Luminous Flux (lm)
7215-01	6500	15000
7215-02	3000	14800